

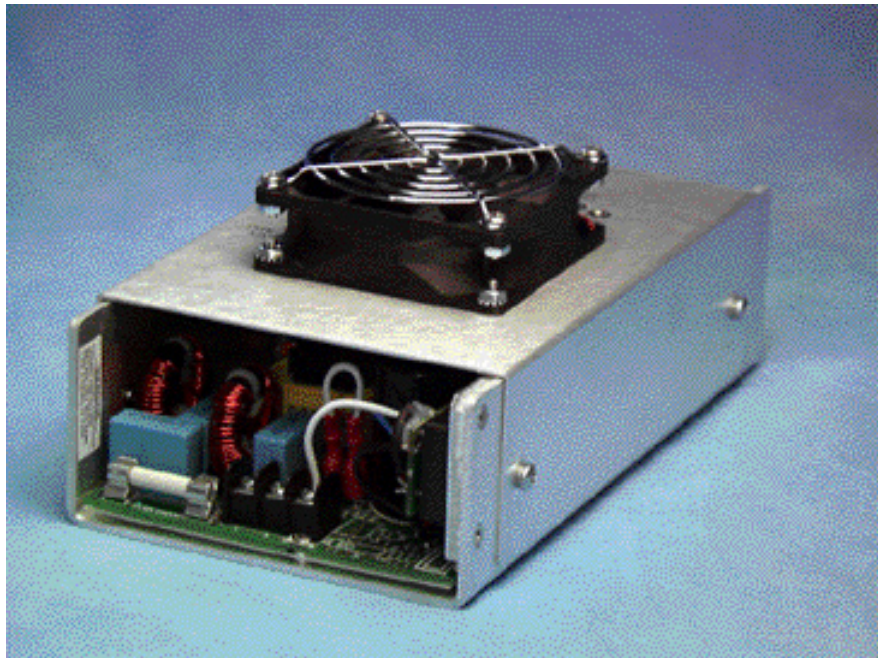
SPX-350-S/U SERIES

400 WATT (-S) SELECTABLE OR (-U) UNIVERSAL INPUT
ONE TO FOUR OUTPUTS

MADE IN THE U.S.A.

SWITCHING POWER

Regulated D.C. Power



HIGH RELIABILITY GREATER THAN 120,000 HRS. MTBF



TYPICAL MODELS AND THEIR OUTPUT RATINGS:

MODEL NO.	V1	V2	V3	V4
SPX-350T-SF	5/50A	12@8/12Apk	-12/4A	
SPX-350Q-UF	5/50A	15@5/10Apk	-5.2/4A	12/2A
SPX-350Q-UF	5/50A	12@8/12Apk	-12/4A	5.2/2A
SPX-350Q-SF	5/50A	24@5/8Apk	-12/4A	15/2A

or configure your own output requirements from the chart below:

FEATURES:

100 KHz Operation
Sizes 5.5" x 2.6" x 9.0"
75% Efficiency Typical
Meets EN55022 Level A / FCC Class A

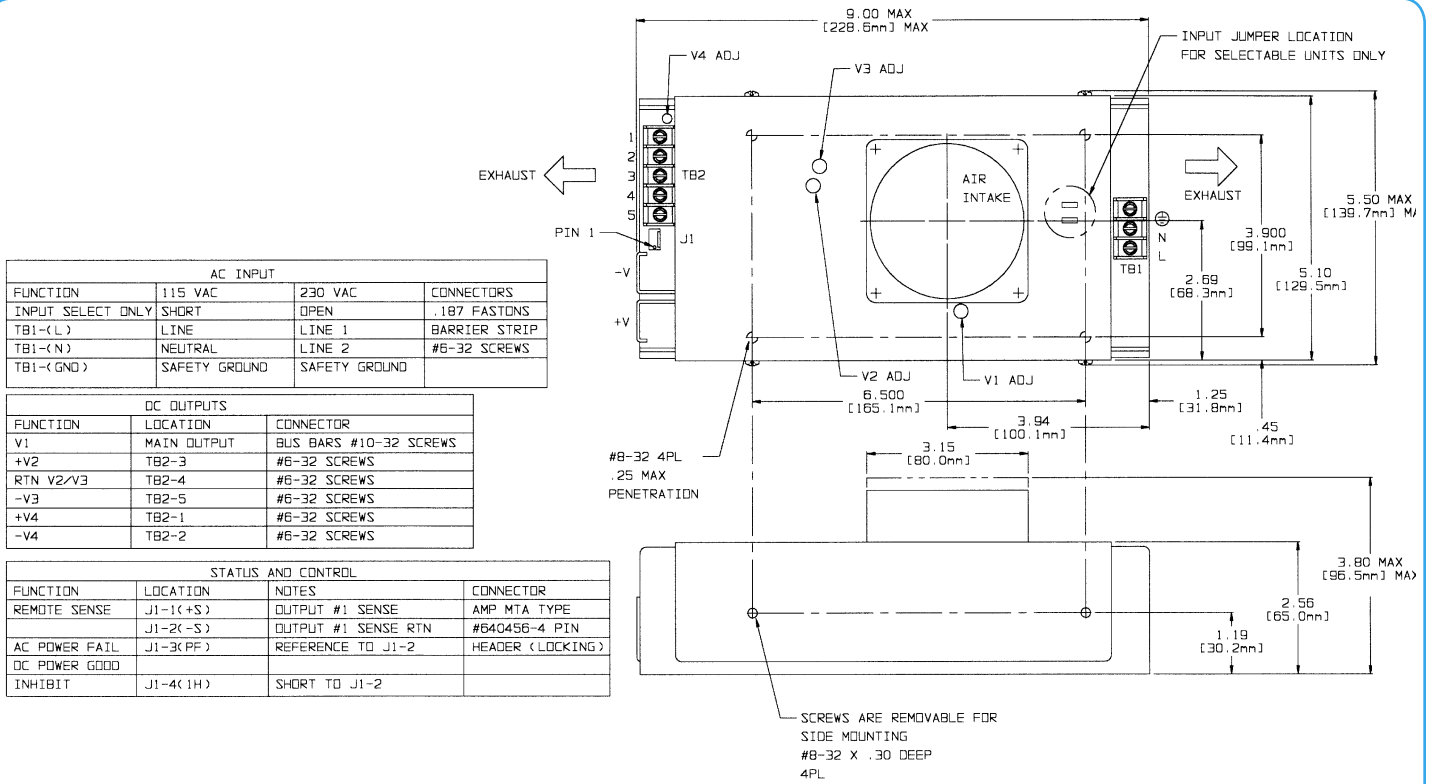
	OUTPUT VOLTAGE (VDC)	OUTPUT AMPERS (MAX)	OUTPUT POWER (WATTS)
V1	2 to 48	50	350
V2	2 to 48	8	100
V3	2 to 48	4	50
V4	5 to 48	2	50



3601 VETERANS HIGHWAY
RONKONKOMA, NEW YORK 11779
TEL (631) 981-7231 FAX (631) 981-7266

VISIT US ON THE WEB:
<http://www.switchpwr.com>

SPX-350 SERIES 350 WATT COMPACT SIZE



Nominal Input Voltage 115-240 VAC.

Frequency 47-63 Hz 400Hz. available.

Operational Input Voltage Range 115/230 VAC
90-264 VAC

Inrush Current Less than 50 A for 5 msec. @ 115 VAC, or 80 amperes @ 230 VAC.

Fusing 10Ampere, 250 VAC, Internal ceramic body fuse.

Efficiency 80% typical.

Turn on time Less than 500 msec.

Load Regulation 1% for 10% to 100% load changes, all outputs.
10% min. load required on V1 for max load reg. on outputs V2 to V4.

Line Regulation ± 0.5% over operating line range, all outputs.

Ripple & Noise 1% ripple, 1% noise or 100MV which ever is greater.
20MHz bandwidth.

Transient Response Output maximum excursion of ± 5% for 25% load step. Recovery less than 500 µsec.

Short Circuit and Overload Protection All outputs are protected from short circuit and overload. Automatic recovery.

Overshoot No turn-on or turn-off overshoot.

Overvoltage Protection V1 voltage clamp factory set at 20% to 30% above output voltage. V2, V3, V4 failsafe design.

Overtemperature Protection Unit shuts down if overheated. Automatic recovery.

Cooling -F, -F1 equipped with fan or user provides min. 30 CFM.

Input/Output Isolation 4242 VDC, SELV construction.

Remote Sense V1 Output Up to 0.5 volts total in load.

Remote On/Off Standard - Open to run.

Power Good or Power Fail Standard - Norm logic "1".

Operating Temperature -20°C to 50°C full output.
50°C to 75°C, derate 2%/°C.

Stability All outputs 0.5% for 8 hrs. after 1 hour warm-up.

Humidity Up to 95% non-condensing.

EMI Meets FCC Class A and EN55022 Level A

Size 5.5"x9.0"x3.80" over fan

Weight 3.5lbs.

Safety UL 1950, CSA 950-95, EN60950.

SERIES BREAKDOWN: SPX-350S ONE OUTPUT SPX-350T THREE OUTPUT
 SPX-350D TWO OUTPUT SPX-350Q FOUR OUTPUT

THEN ADD: -S FOR SELECTABLE OR -U FOR UNIVERSAL INPUT

THEN ADD: -F FOR TOP FAN; OR LEAVE OFF THE -F IF THE USER WILL PROVIDE COOLING.

THEN ADD: -F1 FOR SIDE FAN; OR LEAVE OFF THE -F1 IF THE USER WILL PROVIDE COOLING.

EXAMPLE: SPX-350T-UF; THREE OUTPUT; WITH TOP FAN; UNIVERSAL INPUT;
 SPECIFY OUTPUT VOLTAGES, CURRENTS AND OTHER OPTIONS.