

**OFSX-800U**  
UNIVERSAL INPUT

**OFSX-800S**  
SELECTABLE INPUT

750 WATT ONE TO FIVE OUTPUTS

MADE IN THE U.S.A.



**HIGH RELIABILITY GREATER THAN 90,000 HRS. MTBF**



**FEATURES:**

- 100 KHz Operation
- Sizes 5" x 2.6" x 13.5"
- 5 Watts/cubic inch
- 80% Efficiency Typical
- Meets EN55022 Level A / FCC Class A
- Isolated Outputs
- Current Share
- Universal Input 90-264 VAC; U Series

\* 800 Watt Capability - Consult Factory

**TYPICAL MODELS AND THEIR OUTPUT RATINGS:**

MODEL NO.	V1	V2	V3	V4	V5
OFSX-800T-SF	5/100A	12/20A	-12/10A		
OFSX-800F-UF	5/80A	12/10A	-12/10A	5/3A	-15/2A
OFSX-800Q-S	5/120A	12/10A	-5/15A	12/2A	
OFSX-800T-UF	5/80A	12/20A;30PK	-12/10A		

*or configure your own output requirements from the chart below:*

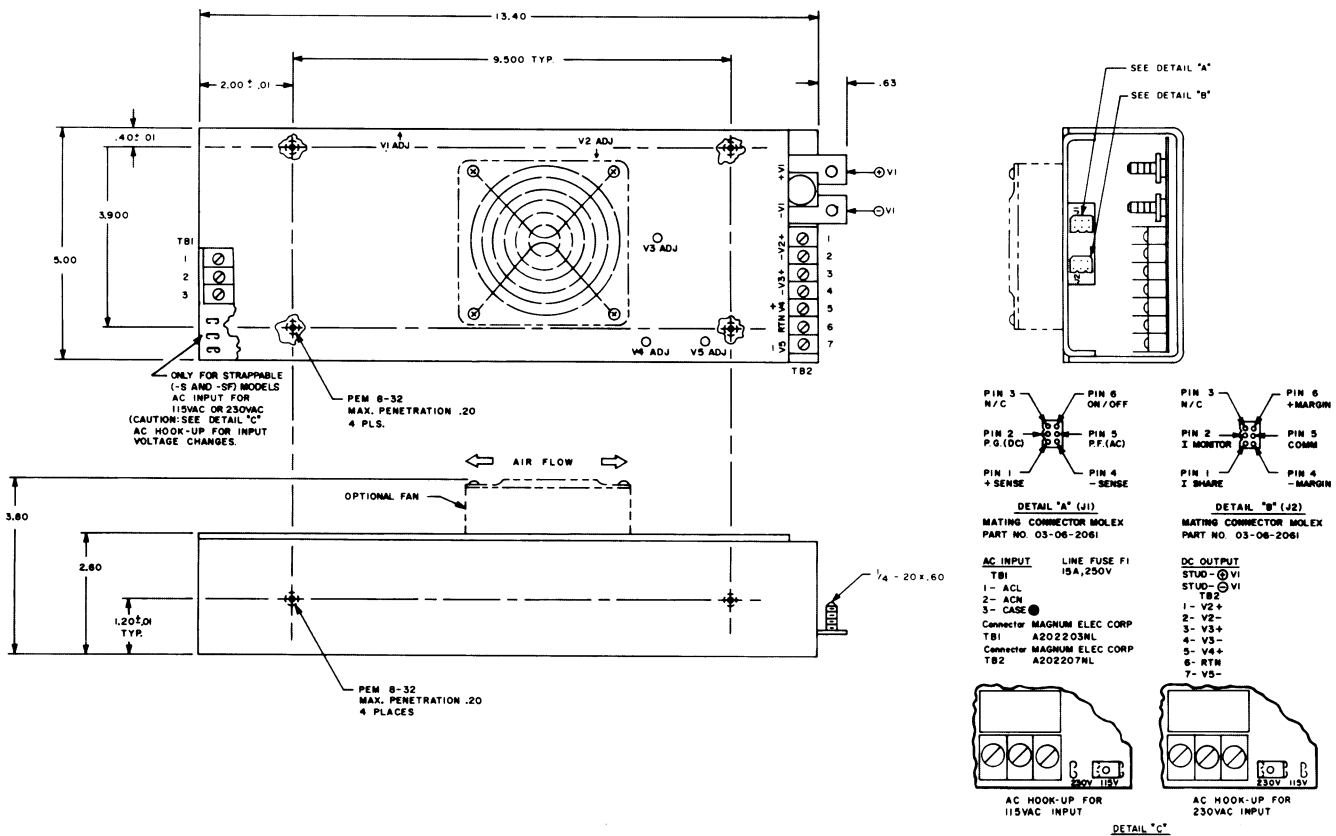
	OUTPUT VOLTAGE (VDC)	OUTPUT AMPERS (MAX)	OUTPUT POWER (WATTS)
V1	2 to 48	120	600
V2	2 to 24	20	240
V3	2 to 24	20	240
V4	5 to 24	6	100
V5	5 to 24	6	100



3601 VETERANS HIGHWAY  
RONKONKOMA, NEW YORK 11779  
TEL (631) 981-7231 FAX (631) 981-7266

VISIT US ON THE WEB:  
<http://www.switchpwr.com>

# OFSX-800 SERIES 750 WATT COMPACT SIZE



<b>Nominal Input Voltage</b>	115/240 VAC (-S); 115-240 VAC (-U)
<b>Frequency</b>	47-63 Hz 400Hz. available.
<b>Operational Input Voltage Range</b>	90 to 132 VAC, 180 to 264 (-S) 90 to 264 VAC (-U)
<b>Inrush Current</b>	Less than 4 msec 80 amperes @ 115 VAC, or 160 amperes @ 230 VAC.
<b>Fusing</b>	15 Ampere, 250 VAC, Internal ceramic body fuse.
<b>Efficiency</b>	80% typical.
<b>Turn on time</b>	Less than 500 msec.
<b>Load Regulation</b>	1% for 10% to 100% load changes, all outputs. 10% min. load required on V1 for max load reg. on outputs V2 to V5.
<b>Line Regulation</b>	± 0.5% over operating line range, all outputs.
<b>Ripple &amp; Noise</b>	1% ripple, 1% noise or 100MV which ever is greater. 20MHz bandwidth.
<b>Transient Response</b>	Output maximum excursion of ± 5% for 25% load step. Recovery less than 500 µsec.
<b>Short Circuit and Overload Protection</b>	All outputs are protected from short circuit and overload. Automatic recovery.
<b>Overshoot</b>	No turn-on or turn-off overshoot.

<b>Overvoltage Protection</b>	V1 voltage clamp factory set at 20% to 30% above output voltage. V2, V3, V4, V5 failsafe design.
<b>Overtemperature Protection</b>	Unit shuts down if overheated. Automatic recovery.
<b>Cooling</b>	-SF and -UF equipped with fan. -S and -U user provides min. 60 CFM.
<b>Input/Output Isolation</b>	4242 VDC, SELV construction.
<b>Remote Sense V1 Output</b>	Up to 0.5 volts total in load.
<b>Remote On/Off</b>	Standard - Closed to run.
<b>Power Good or Power Fail</b>	Standard - Norm logic "1".
<b>Operating Temperature</b>	-20°C to 50°C full output. 50°C to 75°C, derate 2%°C.
<b>Stability</b>	All outputs 0.5% for 8 hrs. after 1 hour warm-up.
<b>Humidity</b>	Up to 95% non-condensing.
<b>EMI</b>	Meets FCC Class A and EN55022 Level A
<b>Size</b>	5" by 2.6" x 13.5".
<b>Weight</b>	7.5 lbs.

**SERIES BREAKDOWN:** OFSX-800S ONE OUTPUT  
 OFSX-800T THREE OUTPUT  
 OFSX-800F FIVE OUTPUT  
 OFSX-800D TWO OUTPUT  
 OFSX-800Q FOUR OUTPUT

**THEN ADD: -S FOR SELECTABLE INPUT OR -U FOR UNIVERSAL INPUT**  
**THEN ADD: F FOR FAN OR LEAVE OFF THE F IF THE USER WILL PROVIDE COOLING**

**EXAMPLE:** OFSX-800T-SF THREE OUTPUT; SELECTABLE INPUT WITH FAN  
 SPECIFY OUTPUT VOLTAGES, CURRENTS AND OTHER OPTIONS.