

OFSX-500U
UNIVERSAL INPUT

OFSX-500S
SELECTABLE INPUT

500 WATT ONE TO FIVE OUTPUTS

MADE IN THE U.S.A.



HIGH RELIABILITY GREATER THAN 90,000 HRS. MTBF



FEATURES:

- 100 KHz Operation
- Sizes 5" x 2.6" x 11.5"
- 80% Efficiency Typical
- Meets EN55022 Level A / FCC Class A
- Isolated Outputs
- Current Share
- Universal Input 90-264 VAC; U Series

TYPICAL MODELS AND THEIR OUTPUT RATINGS:

MODEL NO.	V1	V2	V3	V4	V5
OFSX-500T-SF	5/100A	12/10A	-12/5A		
OFSX-500F-UF	5/50A	-5/20A	-2/10A	12/6A	-12/1A
OFSX-500Q-S	5/40A	12/5A	-12/5A		-48/3A
OFSX-500D-UF	5/50A	12/20A			

or configure your own output requirements from the chart below:

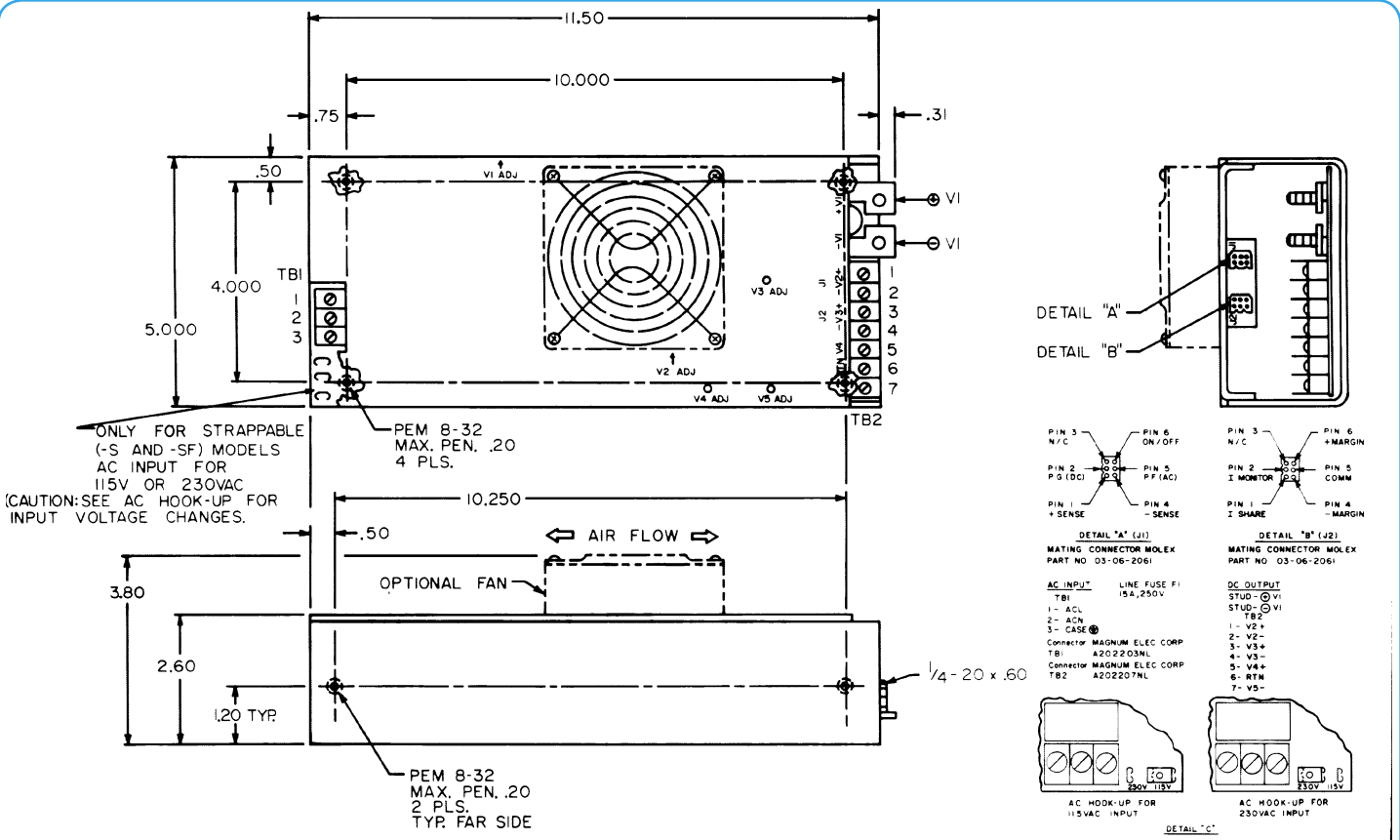
	OUTPUT VOLTAGE (VDC)	OUTPUT AMPERS (MAX)	OUTPUT POWER (WATTS)
V1	2 to 48	100	500
V2	2 to 24	20	240
V3	2 to 24	20	240
V4	5 to 48	6	100
V5	5 to 48	6	100



3601 VETERANS HIGHWAY
RONKONKOMA, NEW YORK 11779
TEL (631) 981-7231 FAX (631) 981-7266

VISIT US ON THE WEB:
<http://www.switchpwr.com>

OFSX-500 SERIES 500 WATT COMPACT SIZE



<p>Nominal Input Voltage 115/240 VAC (-S); 115-240 VAC (-U)</p> <p>Frequency 47-63 Hz 400Hz. available.</p> <p>Operational Input Voltage Range 90 to 132 VAC, 180 to 264 (-S) 90 to 264 VAC (-U)</p> <p>Inrush Current Less than 4 msec 80 amperes @ 115 VAC, or 160 amperes @ 230 VAC.</p> <p>Fusing 15 Ampere, 250 VAC, Internal ceramic body fuse.</p> <p>Efficiency 80% typical.</p> <p>Turn on time Less than 500 msec.</p> <p>Load Regulation 1% for 10% to 100% load changes, all outputs. 10% min. load required on V1 for max load reg. on outputs V2 to V5.</p> <p>Line Regulation ± 0.5% over operating line range, all outputs.</p> <p>Ripple & Noise 1% ripple, 1% noise or 100MV which ever is greater. 20MHz bandwidth.</p> <p>Transient Response Output maximum excursion of ± 5% for 25% load step. Recovery less than 500 µsec.</p> <p>Short Circuit and Overload Protection All outputs are protected from short circuit and overload. Automatic recovery.</p> <p>Overshoot No turn-on or turn-off overshoot.</p>	<p>Overvoltage Protection V1 voltage clamp factory set at 20% to 30% above output voltage. V2, V3, V4, V5 failsafe design.</p> <p>Overtemperature Protection Unit shuts down if overheated. Automatic recovery.</p> <p>Cooling -SF and -UF equipped with fan. -S and -U user provides min. 60 CFM.</p> <p>Input/Output Isolation 4242 VDC, SELV construction.</p> <p>Remote Sense V1 Output Up to 0.5 volts total in load.</p> <p>Remote On/Off Standard - Closed to run.</p> <p>Power Good or Power Fail Standard - Norm logic "1".</p> <p>Operating Temperature -20°C to 50°C full output. 50°C to 75°C, derate 2%°C.</p> <p>Stability All outputs 0.5% for 8 hrs. after 1 hour warm-up.</p> <p>Humidity Up to 95% non-condensing.</p> <p>EMI Meets FCC Class A and EN55022 Level A</p> <p>Size 5" by 2.6" x 11.5".</p> <p>Weight 7 lbs.</p>
---	---

SERIES BREAKDOWN: OFSX-500S ONE OUTPUT OFSX-500D TWO OUTPUT
 OFSX-500T THREE OUTPUT OFSX-500Q FOUR OUTPUT
 OFSX-500F FIVE OUTPUT

THEN ADD: -S FOR SELECTABLE INPUT OR -U FOR UNIVERSAL INPUT
THEN ADD: F FOR FAN OR LEAVE OFF THE F IF THE USER WILL PROVIDE COOLING

EXAMPLE: OFSX-500T-SF THREE OUTPUT; SELECTABLE INPUT WITH FAN
 SPECIFY OUTPUT VOLTAGES, CURRENTS AND OTHER OPTIONS.