

OFSX-350U
UNIVERSAL INPUT

OFSX-350S
SELECTABLE INPUT

400 WATT ONE TO FOUR OUTPUTS

MADE IN THE U.S.A.



HIGH RELIABILITY GREATER THAN 90,000 HRS. MTBF



FEATURES:

- 150 KHz Operation
- Sizes 5" x 2.6" x 8.9"
- 80% Efficiency Typical
- EN55022 Level A / FCC Class A
- Isolated Outputs
- Current Share
- Universal Input 90-264 VAC; U Series

Models available with side fan option, overall size with side fan is 5"x2.6"x10.13"

TYPICAL MODELS AND THEIR OUTPUT RATINGS:				
MODEL NO.	V1	V2	V3	V4
OFSX-350T-SF	5/40A	12/10A	-12/3A	
OFSX-350T-UF	5/40A	-5/10A		-12/6A
OFSX-350Q-S	5/40A	12/5A	-24/2A	5/1A
OFSX-350D-UF	5/50A	12/8A		

or configure your own output requirements from the chart below:

	OUTPUT VOLTAGE (VDC)	OUTPUT AMPERS (MAX)	OUTPUT POWER (WATTS)
V1	2 to 48	60	300
V2	2 to 48	16	192
V3	2 to 48	16	192
V4	5 to 48	6	100

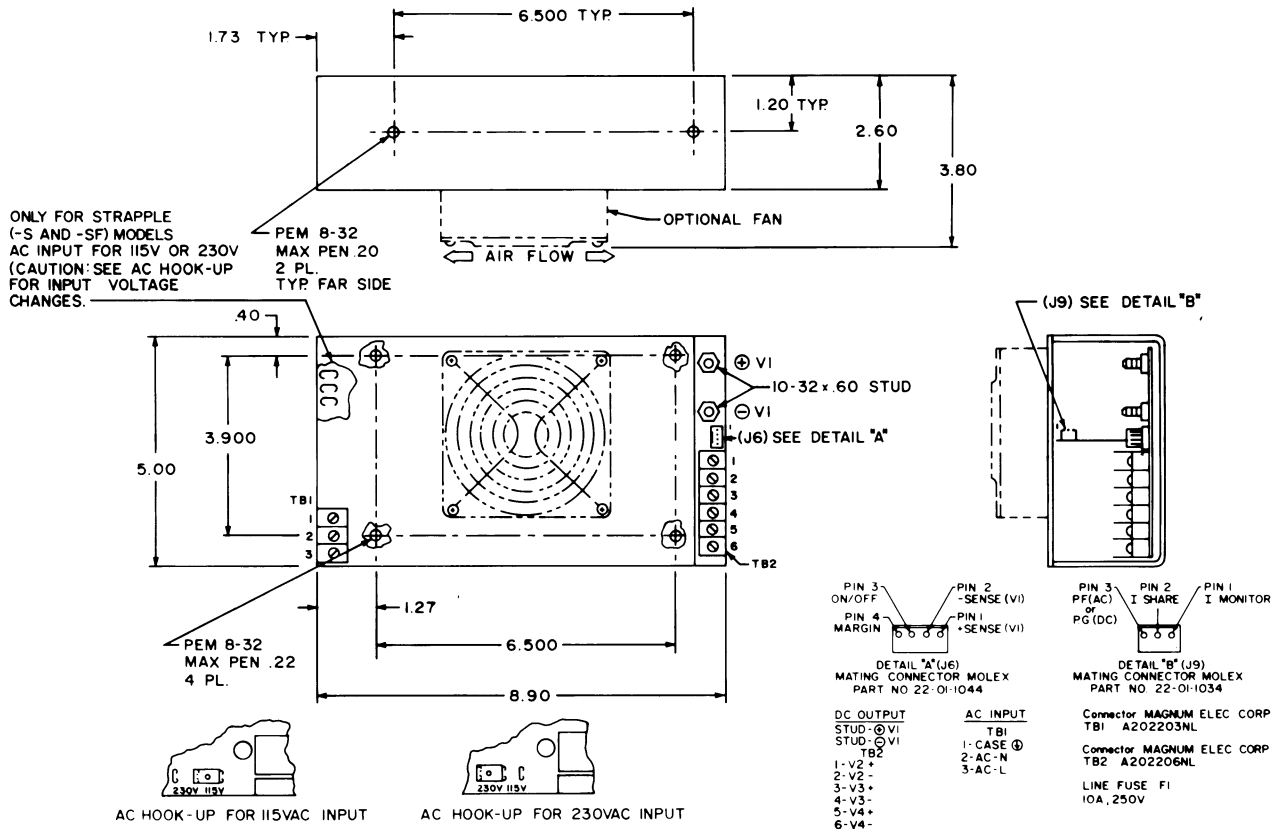


3601 VETERANS HIGHWAY
RONKONKOMA, NEW YORK 11779
TEL (631) 981-7231 FAX (631) 981-7266

VISIT US ON THE WEB:
<http://www.switchpwr.com>

OFSX-350 SERIES

400 WATT COMPACT SIZE



Nominal Input Voltage	115/240 VAC (-S); 115-240 VAC (-U)
Frequency	47-63 Hz 400Hz. available.
Operational Input Voltage Range	90 to 132 VAC, 180 to 264 (-S) 90 to 264 VAC (-U)
Inrush Current	Less than 4 msec 80 amperes @ 115 VAC, or 160 amperes @ 230 VAC.
Fusing	10 Ampere, 250 VAC, Internal ceramic body fuse.
Efficiency	80% typical.
Turn on time	Less than 500 msec.
Load Regulation	1% for 10% to 100% load changes, all outputs. 10% min. load required on V1 for max load reg. on outputs V2 to V4.
Line Regulation	± 0.5% over operating line range, all outputs.
Ripple & Noise	1% ripple, 1% noise or 100MV which ever is greater. 20MHz bandwidth.
Transient Response	Output maximum excursion of ± 5% for 25% load step. Recovery less than 500 μsec.
Short Circuit and Overload Protection	All outputs are protected from short circuit and overload. Automatic recovery.
Overshoot	No turn-on or turn-off overshoot.

Overvoltage Protection	V1 voltage clamp factory set at 20% to 30% above output voltage. V2, V3, V4 failsafe design.
Overtemperature Protection	Unit shuts down if overheated. Automatic recovery.
Cooling	-SF and -UF equipped with fan. -S and -U user provides min. 60 CFM.
Input/Output Isolation	4242 VDC, SELV construction.
Remote Sense V1 Output	Up to 0.5 volts total in load.
Remote On/Off	Standard - Closed to run.
Power Good Power Fail	V1 monitor ± 5% (optional). Standard - Normal logic "1".
Operating Temperature	-20°C to 50°C full output. 50°C to 75°C, derate 2%/°C.
Stability	All outputs 0.5% for 8 hrs. after 1 hour warm-up.
Humidity	Up to 95% non-condensing.
EMI	Meets FCC Class A and EN55022 Level A
Size	5" by 2.6" x 8.9".
Weight	5 lbs.

SERIES BREAKDOWN: OFSX-350S ONE OUTPUT OFSX-350D TWO OUTPUT
 OFSX-350T THREE OUTPUT OFSX-350Q FOUR OUTPUT

THEN ADD: -S FOR SELECTABLE INPUT OR -U FOR UNIVERSAL INPUT
THEN ADD: F FOR FAN OR LEAVE OFF THE F IF THE USER WILL PROVIDE COOLING

EXAMPLE: OFSX-350T-SF THREE OUTPUT; SELECTABLE INPUT WITH FAN
 SPECIFY OUTPUT VOLTAGES, CURRENTS AND OTHER OPTIONS.