

**OFSX-250U**  
UNIVERSAL INPUT

**OFSX-250S**  
SELECTABLE INPUT

250 WATT ONE TO FOUR OUTPUTS



**HIGH RELIABILITY GREATER THAN 90,000 HRS. MTBF**



**FEATURES:**

100 KHz Operation  
 Sizes 2.31" x 5" x 8.9"  
 80% Efficiency Typical  
 Meets EN55022 Level B / FCC Class B  
 Isolated Outputs  
 Current Share  
 Universal Input 90-264 VAC; U Series

**TYPICAL MODELS AND THEIR OUTPUT RATINGS:**

MODEL NO.	V1	V2	V3	V4
OFSX-250D-SF	5/40A	12/4A		
OFSX-250T-UF	5/30A	12/4A	24/2A	
OFSX-250Q-S	5/20A	12/8A	12/3A	-5/3A
OFSX-250D-UF1	5/20A	12/12A		

*or configure your own output requirements from the chart below:*

	OUTPUT VOLTAGE (VDC)	OUTPUT AMPERS (MAX)	OUTPUT POWER (WATTS)
V1	2 to 48	40	240
V2	2 to 24	12	144
V3	2 to 24	3	48
V4	5 to 24	3	48

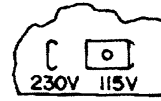
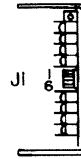
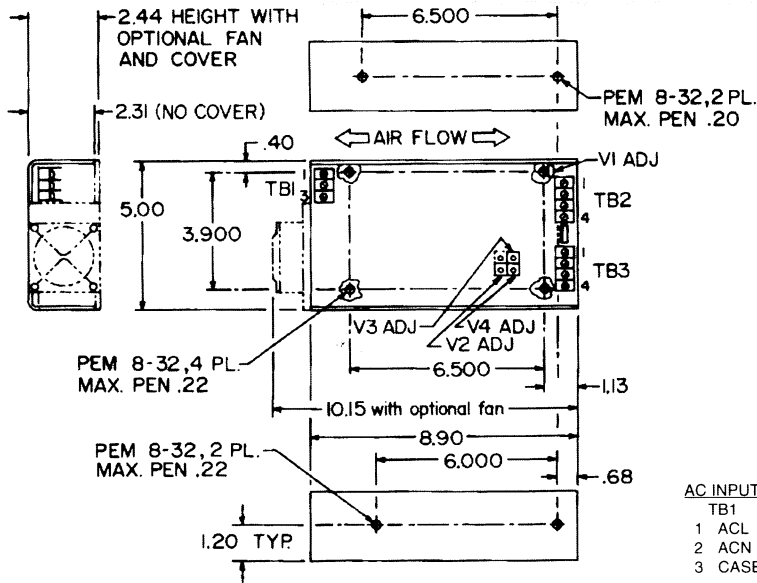


3601 VETERANS HIGHWAY  
 RONKONKOMA, NEW YORK 11779  
 TEL (631) 981-7231 FAX (631) 981-7266

VISIT US ON THE WEB:  
<http://www.switchpwr.com>

# OFSX-250 SERIES

## 250 WATT COMPACT SIZE



AC HOOK-UP FOR 115VAC INPUT



AC HOOK-UP FOR 230VAC INPUT

AC INPUT	DC OUTPUT
TB1	TB2
1 ACL	1 V1 +
2 ACN	2 V1 +
3 CASE (GND)	3 RTN
	4 RTN
<b>TERM. BLOCK</b>	
MAGNUM ELEC. CORP.	TB3
TB1 A202203NL	1 V2 +
TB2 A202204NL	2 V3 +
TB3 A202204NL	3 RTN
	4 V4 -

J1  
MATING CONNECTOR MOLEX  
PART NO. 22 - 01 - 1064  
PIN 1 + SENSE (V1)  
PIN 2 - SENSE (V1)  
PIN 3 - ON/OFF • NORMALLY OPEN  
PIN 4 - POWER GOOD  
PIN 5 - POWER FAIL  
PIN 6 - CURRENT SHARE

LINE FUSE, F1 • 6.3A, 250V

<b>Nominal Input Voltage</b>	115/240 VAC (-S); 115-240 VAC (-U)
<b>Frequency</b>	47-63 Hz 400Hz. available.
<b>Operational Input Voltage Range</b>	90 to 132 VAC, 180 to 264 (-S) 90 to 264 VAC (-U)
<b>Inrush Current</b>	Less than 4 msec 40 amperes @ 115 VAC, or 80 amperes @ 230 VAC.
<b>Fusing</b>	6.3 Ampere, 250 VAC, Internal ceramic body fuse.
<b>Efficiency</b>	80% typical.
<b>Turn on time</b>	Less than 500 msec.
<b>Load Regulation</b>	1% for 10% to 100% load changes, all outputs. 10% min. load required on V1 for max load reg. on outputs V2 to V4.
<b>Line Regulation</b>	± 0.5% over operating line range, all outputs.
<b>Ripple &amp; Noise</b>	1% ripple, 1% noise or 100MV which ever is greater. 20MHz bandwidth.
<b>Transient Response</b>	Output maximum excursion of ± 5% for 25% load step. Recovery less than 500 usec.
<b>Short Circuit and Overload Protection</b>	All outputs are protected from short circuit and overload. Automatic recovery.
<b>Overshoot</b>	No turn-on or turn-off overshoot.

<b>Overvoltage Protection</b>	V1 voltage clamp factory set at 20% to 30% above output voltage. V2, V3, V4 failsafe design.
<b>Overtemperature Protection</b>	Unit shuts down if overheated. Automatic recovery.
<b>Cooling</b>	-F or -F1 models equipped with fan. -S and -U user provides min. 60 CFM.
<b>Input/Output Isolation</b>	4242 VDC, SELV construction.
<b>Remote Sense V1 Output</b>	Up to 0.5 volts total in load.
<b>Remote On/Off</b>	Standard - Open to run.
<b>Power Good and Power Fail</b>	Standard - Norm logic "1".
<b>Operating Temperature</b>	-20°C to 50°C full output. 50°C to 75°C, derate 2%/°C.
<b>Stability</b>	All outputs 0.5% for 8 hrs. after 1 hour warm-up.
<b>Humidity</b>	Up to 95% non-condensing.
<b>EMI</b>	Meets FCC Class B and EN55022 Level B
<b>Size</b>	5" by 2.31" x 8.9".
<b>Weight</b>	5 lbs.

### SERIES BREAKDOWN: OFSX-250X1-X2

X1 = S= Single output    D= Dual Output    T= Triple Output    Q= Four Output

X2 = U = Universal Input, No Fan, No Cover  
UC = Universal Input, No Fan, Cover  
UF = Universal Input, Fan Top Cover  
UF1 = Universal Input, Fan Side

S = Selectable Input, No Fan, No Cover  
SC = Selectable Input, No Fan, Cover  
SF = Selectable Input, Fan Top Cover  
SF1 = Selectable Input, Fan Side