

GAT-50W

LOW PROFILE -50 WATTS



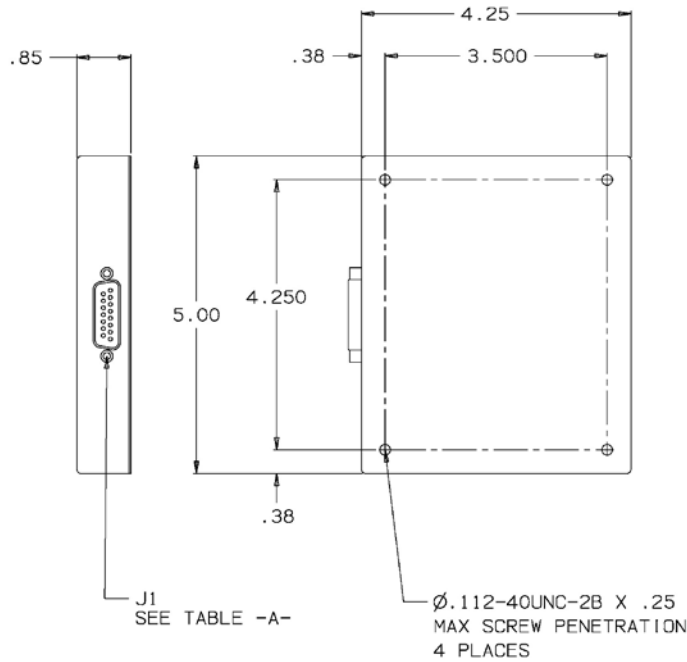
FEATURES:

Low Profile 5.0" x 4.25" x 0.85" Size
Single Output
Operational Temperature -40°C to 100 °C
Remote Sense Output

Designed to meet the following specifications:

High Temperature per MIL-STD-810F, Method 501.4 Procedure I and II
Low Temperature per MIL-STD-810F, Method 502.4 Procedure I and II
Humidity per MIL-STD-810F, Method 507.4(Non Operational)
Pressure Altitude per MIL-STD-810F, Method 500.4 Procedure I up to 40,000ft Non-operational
Pressure Altitude per MIL-STD-810F, Method 500.4 Procedure II up to 10,000ft operational
Fungus per MIL-STD-810F, Method 508.4
Sand and Dust per MIL-STD-810F, Method 510.4 Procedures I, II and III
Salt Fog per MIL-STD-810F, Method 509.4
Vibration per MIL-STD-810F, Method 514.5 Category 6, procedure I composite wheeled, and US highway truck
Shock: +/-15g for 11ms, half sine, each direction, all 3 axes
Bench Handling: MIL-STD-810F, Method 516.5, Procedure VI.

GAT-50W 50 WATT COMPACT SIZE



Output set point:	+24.0V±0.1V@ 2.08A.	Overshoot/Undershoot:	No turn-on or turn-off overshoot.
Nominal Input Voltage:	115 VAC	Output Isolation:	Isolated from chassis ground, 100Vdc.
Frequency:	47-440 Hz.	Input/Output Isolation:	2150 VDC from input to both chassis/output.
Operational Input:	90 -140 VAC	Reverse Voltage:	Protected against reverse voltage to supply current rating.
Nominal Input current:	1Arms	Over voltage protection:	Shutdown at 120% of nominal Vout. Recycle input power to reset.
Power Factor:	0.5 Typical at Full Load.	Over temperature protection:	Unit shuts down if overheated. Automatic recovery.
Inrush Current:	Less than 10 amperes @ 125 VAC.	Leakage Current:	1mA max at 115Vac/60Hz.
Brownout Protection:	Holds Regulation to 85 Vac.	Current Limiting:	Output short circuit protected 105 – 130% of full load current. Automatic recovery upon removal of the short.
Transient Input:	180 Vrms; 20msec, per MIL-STD-704A. 480Hz Peak, per MIL-STD-704A.	Remote Sense:	Compensates for up to 0.5V total distribution voltage on output.
Fusing:	Internal ceramic body fuses.	Operating Temperature:	-40°C to +100°C base plate.
Hold up time:	20msec minimum after loss of AC Input at full load and 115V input.	Storage Temperature:	-55°C to +125°C.
Efficiency:	80% typical.	Stability:	0.1% for 8 hrs. after 30 minute warm-up.
Turn on time:	1 sec max. from power up.	Weight:	1.25lbs maximum.
Rise time:	Output rises monotonically within 100msec.	Size:	5.0" x 4.25" x 0.85"
Line /Load Regulation:	1% over AC input range and 0 to 100% load change.	EMC:	Designed to meet per MIL-STD-461E: CE102; RS103 (Army Ground); RE102 (Navy Limits); CS101 (Army Ground) CS114 (Army Ground); CS115 (Army Ground); CS116 (Army Ground)
Minimum Load:	No minimum load required on output.		
Ripple & Noise:	Through 20MHz 1% max. pk to pk.		
Transient Response:	Output maximum excursion of ± 5% for 50% load step. Recovery less than 300 µsec.		