

CPCI-150Q-DC-47

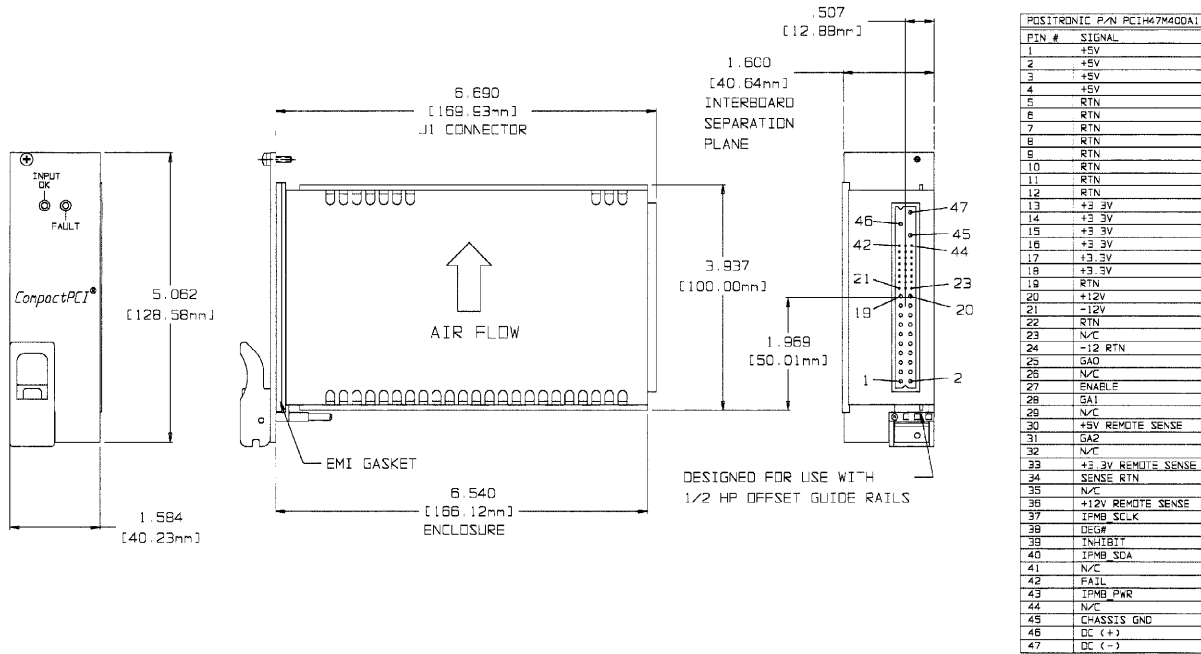
150 Watts -Rugged 24/28VDC



FEATURES:

- 150 Watts in 3U x 8HP (two slots) x 160mm
- Wide Range DC Input (18 - 40VDC)
- Standard PCI Voltages 5V, 3.3V, $\pm 12V$
+5V/30A, +3.3V/40A, +12V/6A, -12V/2A
- N+1 Redundant with Internal Oring Diodes
- Zero Wire Current Sharing on +5V, +3.3V and +12V Outputs
- IEEE 1101.10 Compliant Front Panel with EMI Gasket, Guide Pins, Injector/
Extractor Handles and Keying
- CompactPCI[®] Specification PICMG 2.11 R1.0
- Ruggedized Mechanical Design
- Two Year Warranty
- Greater than 500,000 Hrs MTBF in Redundancy

CPCI-150Q-DC-47



| | | | |
|--|--|------------------------------|---|
| Nominal Input Voltage | 24/28VDC, 10A max. | Current Limiting | All outputs short circuit protected with foldback overload protection, auto recovery with short circuit removal. |
| Operational Input Voltage Range | -18 to -40VDC, 150 Watts Output Transient input voltage to 75V for 2 Sec. | Paralleling | Two or more supplies can be operated in parallel and will share 5V/3.3V current to within ±10% of each other. |
| Inrush Current | Less than 4 msec. 30 amperes @ -28VDC | Redundant | Full power N+1 redundant with integral Oring Diodes. |
| Fusing | 16 Ampere, 125 VDC, Internal ceramic body fuse. | Remote Sense | Compensates for up to 0.3V total distribution voltage drop on the +5V, +3.3V and +12V outputs. |
| Hold up time | 1msec minimum after loss of DC Input at full load and any input | INH# | Open to Run, Contact closure to return , turns off all outputs. |
| Efficiency | 65% typical | DEG# | Normal logic '1' TTL signal which goes low at least 1 second before over temperature shutdown. |
| Turn on time | 1 sec max. from power up. | FAIL# Signal | Normal logic '1' TTL signal which goes low whenever the +5V or +3.3V outputs fail, an overtemperature condition, an over voltage shut down. |
| Line and Load Regulation | ±2% over DC input range and 0 to 100% load change. | Indicators | Green LED indicating Input OK, Red LED indicating a power supply fault. |
| Minimum Load | 2A on +5V. | Cooling | 400 Lfpm forced air external fan. |
| Ripple & Noise | Through 20MHz 1% max. or 50mv whichever is greater for all outputs, peak to peak, with coaxial probe and 0.1uF/10uF capacitors at the connector. | Operating Temperature | -20°C to 50°C operating temperature with specified air flow. |
| Transient Response | Output maximum excursion of ± 5% for 25% load step. Recovery less than 500 µsec. | Stability | All outputs 0.1% for 8 hrs. after 30 minute warm-up. |
| Overshoot/Undershoot | No turn-on or turn-off overshoot. | Humidity | Up to 95% non-condensing. |
| Output Isolation | Isolated from chassis ground, 50Vdc. | Storage Temperature | -40°C to 85°C. |
| Input/Output Isolation | 1500 VDC from input to both chassis/outputs. SELV construction. | Connector | Positronics Part No. PCIH47M400A1 |
| Reverse Voltage | Protected against reverse voltage to supply current rating. | Size | 3U x 8HP x 160mm Weight: 1.5 lbs. |
| Overvoltage Protection | Shutdown at 130% of nominal Vout (V1, V2 & V3). V4 failsafe design. Recycle input power to reset. | EMC | Meets EN55022 Level A / FCC Class A conducted. |
| Overtemperature Protection | Unit shuts down if overheated. Recycle DC to reset. | Safety | UL 60950, CSA C22.2 No. 60950, EN60950. |