

NOC-270F

270 WATTS - FIVE OUTPUTS
Operation up to 15,000 Ft. / 65°C Ambient

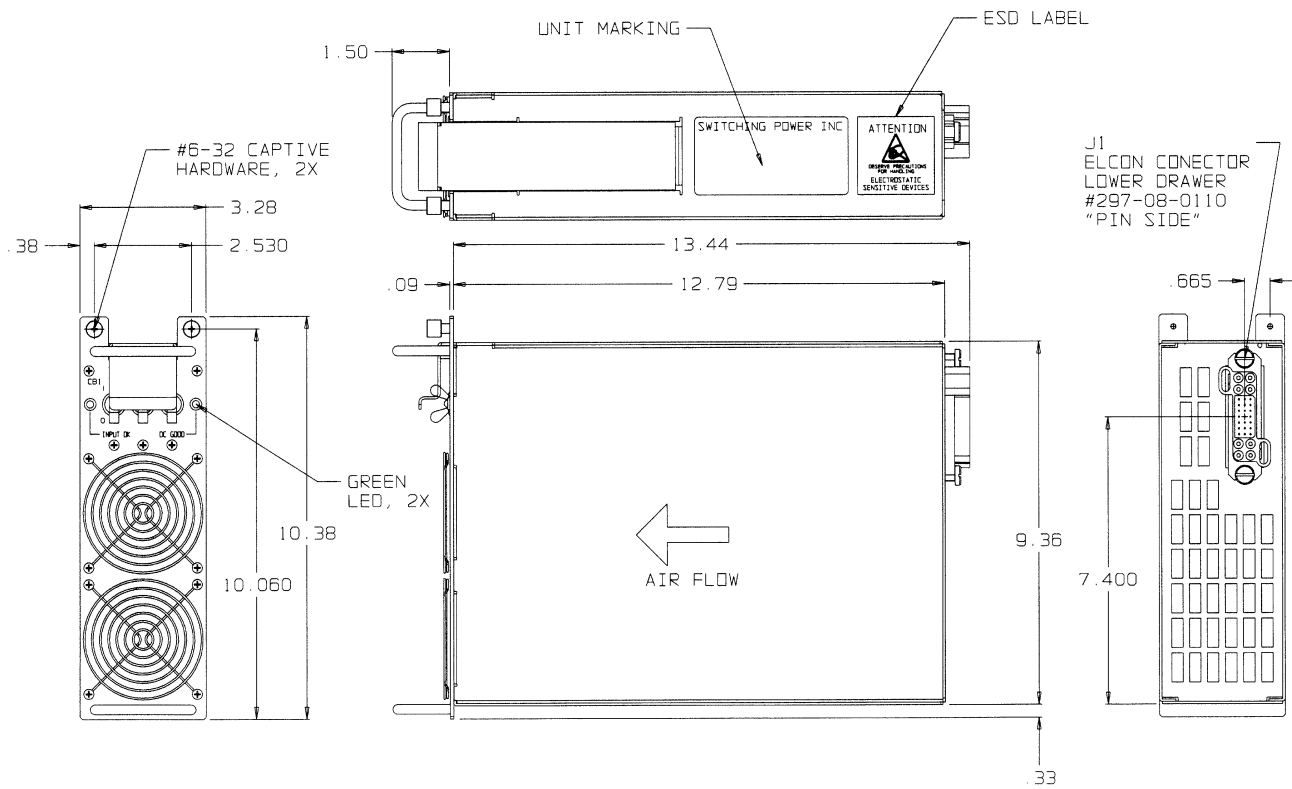


FEATURES:

- 208 Vac three (3) phase five wire, 47-63Hz Input with Power Factor Correction (Greater than 0.95)
- +5V/12A, +28V/5A, +15V/2A, -12V/2A, -50V/0.1A
- True Hot Swap with Elcon Floating Lower Drawer Connector
- N+1 Redundancy provided with integral “ORing” Diodes within the modules
- Zero Wire Current Sharing
- DC_OK Signal with LED
- Ruggedized Mechanical Design
- Greater than 500,000 Hrs MTBF in Redundancy
- Active Inrush Current Protection
- Operation up to 15,000 Ft / 65°C Ambient
- Over temperature, over voltage, over load and short circuit protection.
- Switches, handles, labels and markings per customer requirements.
- Two Year Warranty

Consult factory for additional specifications.

NOC-270F



J1 CONNECTOR - ELCON PART NO. 297-08-0110					
PIN #	SIGNAL	PIN #	SIGNAL	PIN #	SIGNAL
1	PHASE A	13	I-SHARE	25	N/C
2	PHASE B	14	+15V	26	+5V
3	PHASE C	15	+15V	27	+5V RTN
4	CASE GND	16	N/C	28	+28V
5	N/C	17	-15V/50V RTN	29	+28V RTN
6	N/C	18	-15V/50V RTN		
7	N/C	19	-15V/50V RTN		
8	FLAG_DCOK	20	-15V		
9	FLAG_DCOK_RTN	21	-15V		
10	N/C	22	-50V		
11	+15V RTN	23	+5V +SENSE		
12	+15V RTN	24	+5V -SENSE		