

HDX-1200P

HOT SWAP - 1200 WATTS - 1U HIGH

POWER FACTOR CORRECTED 90-264 VAC
I²C OPTION FOR IPMI COMPATIBILITY



FEATURES:

- Size: 1.6" x 5" x 10" in Size**
- Low Profile - Only 1.6" high!**
- N+1 Redundant and Hot Swap**
- 15w/in³ Power Density**
- No Additional Cooling Required up to 50 °C**
- Power Factor Corrected Input (90-264VAC)**
- 'Zero' Wire Current Share**
- Remote Sense**
- No Minimum Load Required**
- Includes Standby Output 5V/0.25A**
- Integral LED Status Indicators**
- Greater than 90,000 Hrs MTBF (500,000 Hrs in Redundancy)**

Standard Configurations Available :

	OUTPUT VOLTAGE (VDC)	OUTPUT AMPERES (MAX)	OUTPUT POWER (WATTS)
+V1	48Vdc	25	1200
+V1	24Vdc	41.7	1000
+V1	12Vdc	66.7	800

HDX-1200P SERIES - 1200 WATT COMPACT SIZE

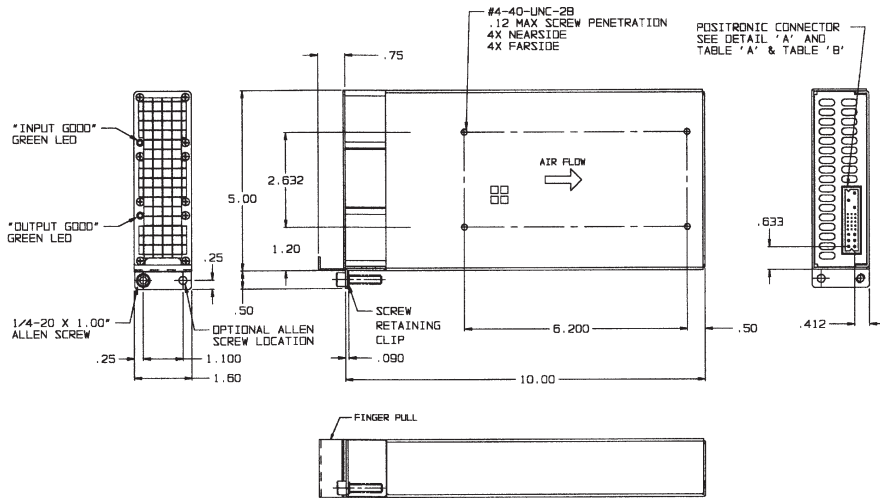


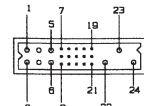
TABLE 'A'
WITH I²C OPTION
POSITRONIC P/N PCB24W9M400A1
MATES WITH PCB24W9F400A1

PIN #	DESCRIPTION
1	+VOUT
2	+VOUT
3	+VOUT
4	RTN
5	RTN
6	RTN
7	ENABLE
8	+SENSE
9	-SENSE
10	INHIBIT
11	SDA
12	SCLK
13	MODULE PRESENT
14	GA1
15	INPUT POWER FAIL
16	N/C
17	GA0
18	N/C
19	GA2
20	+5V SB
21	+5V SB RTN
22	CHASSIS GROUND
23	AC LINE
24	AC NEUTRAL

TABLE 'B'
WITHOUT I²C OPTION
POSITRONIC P/N PCB24W9M400A1
MATES WITH PCB24W9F400A1

PIN #	DESCRIPTION
1	+VOUT
2	+VOUT
3	+VOUT
4	RTN
5	RTN
6	RTN
7	ENABLE
8	+SENSE
9	-SENSE
10	INHIBIT
11	N/C
12	N/C
13	MODULE PRESENT
14	DC POWER GOOD
15	INPUT POWER FAIL
16	N/C
17	OVERTEMP WARNING
18	N/C
19	V1 CURRENT MONITOR
20	+5V SB
21	+5V SB RTN
22	CHASSIS GROUND
23	AC LINE
24	AC NEUTRAL

- NOTES:
- TOTAL OUTPUT POWER NOT TO EXCEED 1200 WATTS.
 - TABLE "A" IS WITH I²C OPTION
 - TABLE "B" IS WITHOUT I²C OPTION
 - CONSULT FACTORY FOR FURTHER ELECTRICAL AND/OR MECHANICAL SPECIFICATIONS



DETAIL 'A'
SCALE: 2/
ROTATED 90° CW

Nominal Input Voltage	100-240 VAC, 12A max.	Paralleling	Two or more supplies can be operated in parallel and will share current to within ±10% of each other.
Frequency	47-63 Hz, 400Hz. available.	Redundant	Full power N+1 redundant with integral Oring Diodes.
Operational Input Voltage Range	90-264 VAC Power Factor 0.99 Typical at Full Load. Meets EN 61000-3-2.	Remote Sense	Compensates for up to 0.5V total distribution voltage drop.
Inrush Current	Less than 4 msec. 75 amperes @ 115 VAC or 150 amperes @ 264 VAC.	INHIBIT	Open to Run, Contact closure to return, turns off all outputs.
Brownout Protection:	Holds Regulation to 85 Vac.	ENABLE	Closed to run. Contact closure to return, turns on all outputs.
Fusing	20 Ampere, 250 VAC, Internal ceramic body fuse.	INPUT POWER FAIL	Normal logic '0' TTL signal which goes high whenever the AC line voltage ceases. Provides 4msec warning before outputs go out of regulation.
Hold up time	20msec minimum after loss of AC Input at full load and any input.	Indicators	Green LED indicating Input Good, Green LED indicating output Good.
Efficiency	80-85% typical	Output Power Good	Provides logic Low signal when V1 is within 90% of it's rating.
Turn on time	1 sec max. from power up.	Over Temp Warning	Provides a logic High signal at least 1 sec before supply shuts down.
Line and Load Regulation	±2% over AC input range and 0 to 100% load change.	Operating Temperature	-20°C to 50°C operating temperature. 50°C to 75°C, derate 2%/°C. (Below 108Vac input, +48V power varies with temperature, consult factory for rating curves).
Minimum Load	No minimum load required.	Stability	All outputs ±0.2% for 8 hrs. after 30 minute warm-up. All outputs ±0.5% during 30 minute warm-up.
Ripple & Noise	Through 20MHz 0.5% max. peak to peak, with coaxial probe and 0.1uF/10uF capacitors at the connector.	Humidity	Up to 95% non-condensing.
Transient Response	Output maximum excursion of ± 4% for 25% load step. Recovery less than 300 µsec.	Storage Temperature	-40°C to 85°C.
Overshoot/Undershoot	No turn-on or turn-off overshoot.	Connector	Positronic Part No. PCB24W9M400A1
Output Isolation	Isolated from chassis ground, 50Vdc.	Size	1.6" x 5" x 10" Weight: 4 lbs.
Input/Output Isolation	2200 VDC from input to both chassis/outputs. SELV construction.	EMC	External IEC inlet filter Corcom 20EEJ1 or equivalent required for FCC Class A and EN 55022 Level A conducted emissions.
Reverse Voltage	Protected against reverse voltage to supply current rating.	Safety	Meets UL 60950 / CSA C22.2 No. 60950, EN60950.
Overvoltage Protection	Clamp at 130% of nominal Vout.		
Overtemperature Protection	Unit shuts down if overheated. Recycle AC to reset.		
Leakage Current	1.0mA max at 240Vac.		
Current Limiting	V1 short circuit protected with foldback protection. 5VSB Foldback.		

Standby Output: +5V/0.25A, First On, Last Off. Remains ON during all fault conditions.