

# CPCI-310Q-DC-47

300 Watts (20-40VDC)

250 Watts (18-20VDC)

IPMI Capability

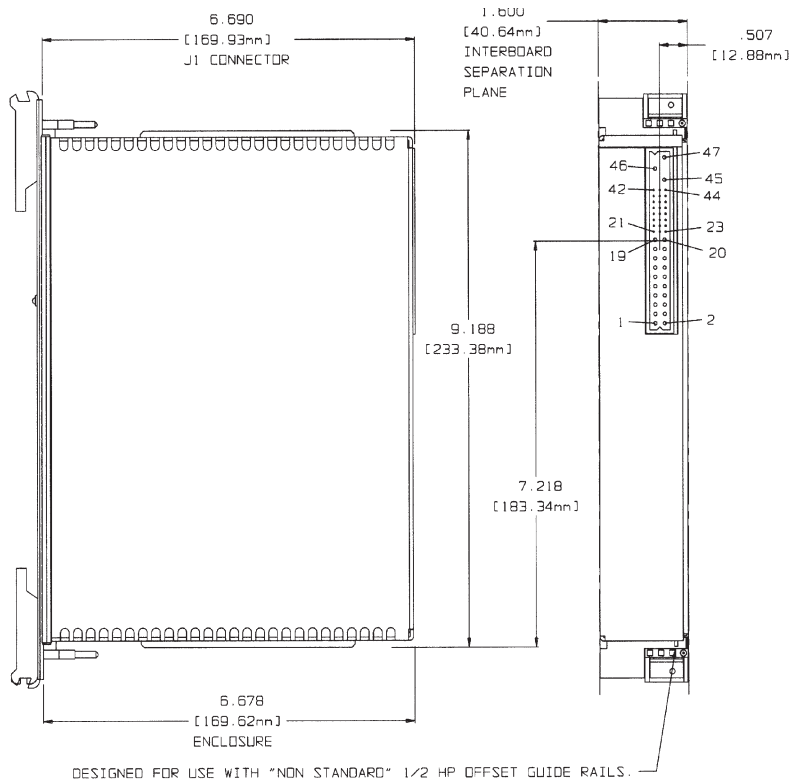
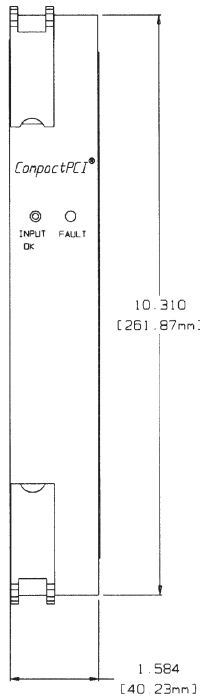


## FEATURES:

- 300 Watts in 6U x 8HP (two slots) x 160mm
- Wide Range DC Input
- Standard PCI Voltages 5V, 3.3V,  $\pm 12V$   
+5/50A, +3.3/65A, +12V/12A, -12V/3A(4A Consult Factory)
- N+1 Redundant with Internal Oring Diodes
- Zero Wire Current Sharing on +5V, +3.3V and +12V Outputs
- IEEE 1101.10 Compliant Front Panel with EMI Gasket, Guide Pins, Injector/  
Extractor Handles and Keying
- CompactPCI® Specification PICMG 2.11 R1.0
- Ruggedized Mechanical Design
- Two Year Warranty
- Greater than 500,000 Hrs MTBF in Redundancy

# CPCI-310Q-DC-47

PIN #	SIGNAL
1	+5V
2	+5V
3	+5V
4	+5V
5	RTN
6	RTN
7	RTN
8	RTN
9	RTN
10	RTN
11	RTN
12	RTN
13	+3.3V
14	+3.3V
15	+3.3V
16	+3.3V
17	+3.3V
18	+3.3V
19	RTN
20	+12V
21	+12V
22	RTN
23	N/C
24	-12 RTN
25	GAO
26	N/C
27	ENABLE
28	GA1
29	N/C
30	+5V REMOTE SENSE
31	GA2
32	N/C
33	+3.3V REMOTE SENSE
34	SENSE RTN
35	N/C
36	+12V REMOTE SENSE
37	IPMB SCLK
38	DEG#
39	INHIBIT
40	IPMB SDA
41	N/C
42	FAIL
43	IPMB PWR
44	N/C
45	CHASSIS GND
46	DC(+)
47	DC(-)



DESIGNED FOR USE WITH "NON STANDARD" 1/2 HP OFFSET GUIDE RAILS.

<b>Nominal Input Voltage</b>	-24/28 VDC, 20A max.	<b>Paralleling</b>	Two or more supplies can be operated in parallel and will share 5V/3.3V/12V current to within ±10% of each other.
<b>Operational Input Voltage Range</b>	18 - 20 VDC, 250 Watts Output 20 - 40 VDC, 300 Watts output Transients to 75V for 2 sec.	<b>Redundant</b>	Full power N+1 redundant with integral Oring Diodes.
<b>Inrush Current</b>	Less than 4 msec. 25 amperes @ -24 VDC	<b>Remote Sense</b>	Compensates for up to 0.5V total distribution voltage drop on the +5V, +3.3V and +12V outputs.
<b>Fusing</b>	30 Ampere, 125 VDC, Internal ceramic body fuse.	<b>INH#</b>	Open to Run, Contact closure to return , turns off all outputs.
<b>Hold up time</b>	1msec minimum after loss of DC Input at full load and any input	<b>DEG#</b>	Normal logic '1' TTL signal which goes low at least 1 second before over temperature shutdown.
<b>Efficiency</b>	65% typical	<b>FAIL# Signal</b>	Normal logic '1' TTL signal which goes low whenever the +5V or +3.3V outputs fail, an overtemperature condition, an over voltage shut down.
<b>Turn on time</b>	1 sec max. from power up.	<b>Indicators</b>	Green LED indicating Input OK, Red LED indicating a power supply fault.
<b>Line and Load Regulation</b>	±2% over DC input range and 0 to 100% load change.	<b>Output Isolation</b>	Isolated from chassis ground, 50Vdc.
<b>Minimum Load</b>	1A on +5V. 1A on +3.3V for full load on -12V.	<b>Input/Output Isolation</b>	1500 VDC from input to both chassis/outputs. SELV construction.
<b>Ripple &amp; Noise</b>	Through 20MHz 1% max. or 50mv whichever is greater for all outputs, peak to peak, with coaxial probe and 0.1uF/10uF capacitors at the connector.	<b>Cooling</b>	400 Lfpm forced air required to the power supply.
<b>Transient Response</b>	Output maximum excursion of ± 5% for 25% load step. Recovery less than 500 µsec.	<b>Operating Temperature</b>	-20°C to 50°C operating temperature with specified air flow.
<b>Overshoot/Undershoot</b>	No turn-on or turn-off overshoot.	<b>Humidity</b>	Up to 95% non-condensing.
<b>Reverse Voltage</b>	Protected against reverse voltage to supply current rating.	<b>Storage Temperature</b>	-40°C to 85°C.
<b>Overvoltage Protection</b>	Shutdown at 130% of nominal Vout (V1, V2 & V3). V4 failsafe design. Recycle input power to reset.	<b>Connector</b>	Positronics Part No. PCIH47M400A1
<b>Overtemperature Protection</b>	Unit shuts down if overheated. Recycle DC to reset.	<b>Size</b>	6U x 8HP x 160mm <b>Weight:</b> 4 lbs.
<b>Current Limiting</b>	V1-V3 outputs short circuit protected with shutdown protection. V3 and V4 foldback protection. DC input recycle after removal of the short for recovery (V1-V3).	<b>EMC</b>	Meets EN55022 Level A / FCC Class A conducted.
<b>Stability</b>	All outputs 0.1% for 8 hrs. after 30 minute warm-up.	<b>Safety</b>	UL 60950, CSA C22.2 No. 60950, EN60950.