

CPCI-250Q-P-47

300 Watts (180-264Vac)

250 Watts (90-132Vac)

IPMI Capability

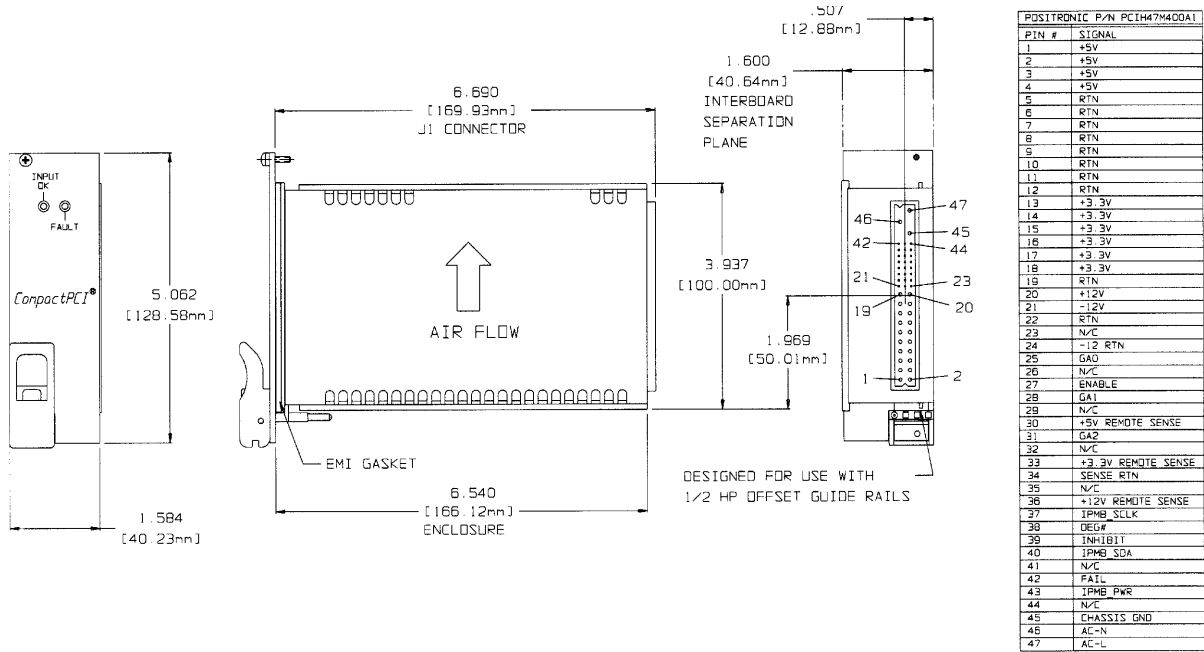
50 Amp Output Current on +5V & +3.3V



FEATURES:

- 300 Watts in 3U x 8HP (two slots) x 160mm *
 - Wide Range AC Input
 - Standard PCI Voltages 5V, 3.3V, $\pm 12V$
+5V/50A, +3.3V/50A, +12V/6A, -12V/2A
 - Power Factor Corrected
 - N+1 Redundant with Internal Oring Diodes
 - Zero Wire Current Sharing on +5V, +3.3V and +12V Outputs
 - IEEE 1101.10 Compliant Front Panel with EMI Gasket, Guide Pins, Injector/
Extractor Handles and Keying
 - CompactPCI® Specification PICMG 2.11 R1.0
 - Ruggedized Mechanical Design
 - Two Year Warranty
 - Greater than 500,000 Hrs MTBF in Redundancy
- * +5V and +3.3V combined output power not to exceed 250 watts

CPCI-250Q-P-47



Nominal Input Voltage Frequency	115-240VAC, 3A max. 47-63 Hz , 400Hz. available.	Current Limiting	All outputs short circuit protected with foldback overload protection. Auto recovery with overload or short circuit removal.
Operational Input Voltage Range	90-132 VAC, 250 Watts Output 180-264 VAC, 300 Watts output Power Factor 0.99 Typical at Full Load. Meets EN 61000-3-2.	Paralleling	Two or more supplies can be operated in parallel and will share 5V/3.3V current to within ±10% of each other.
Inrush Current	Less than 4 msec. 40 amperes @ 115 VAC or 80 amperes @ 264 VAC.	Redundant	Full power N+1 redundant with integral Oring Diodes.
Brownout Protection:	Holds Regulation to 85 Vac.	Remote Sense	Compensates for up to 0.3V total distribution voltage drop on the +5V, +3.3V and +12V outputs.
Fusing	6.3 Ampere, 250 VAC, Internal ceramic body fuse.	INH#	Open to Run, Contact closure to return , turns off all outputs.
Hold up time	20msec minimum after loss of AC Input at full load and any input	DEG#	Normal logic '1' TTL signal which goes low at least 1 second before over temperature shutdown.
Efficiency	70% typical	FAIL# Signal	Normal logic '1' TTL signal which goes low whenever the +5V or +3.3V outputs fail, an overtemperature condition, an over voltage shut down, or an AC input failure (5msec warning before outputs go out of regulation).
Turn on time	1 sec max. from power up.	Indicators	Green LED indicating Input OK, Red LED indicating a power supply fault.
Line and Load Regulation	±2% over AC input range and 0 to 100% load change.	Cooling	400 Lfpm forced air external fan.
Minimum Load	2A on +5V.	Operating Temperature	-20°C to 50°C operating temperature with specified air flow.
Ripple & Noise	Through 20MHz 1% max. or 50mv whichever is greater for all outputs, peak to peak, with coaxial probe and 0.1uF/10uF capacitors at the connector.	Stability	All outputs 0.1% for 8 hrs. after 30 minute warm-up.
Transient Response	Output maximum excursion of ± 5% for 25% load step. Recovery less than 500 usec.	Humidity	Up to 95% non-condensing.
Overshoot/Undershoot	No turn-on or turn-off overshoot.	Storage Temperature	-40°C to 85°C.
Output Isolation	Isolated from chassis ground, 50Vdc.	Connector	Positronics Part No. PCIH47M400A1
Input/Output Isolation	2200 VDC from input to both chassis/outputs. SELV construction.	Size	3U x 8HP x 160mm Weight: 1.5 lbs.
Reverse Voltage	Protected against reverse voltage to supply current rating.	EMC	Meets EN55022 Level A / FCC Class A conducted.
Overvoltage Protection	Shutdown at 130% of nominal Vout (V1, V2 & V3). V4 failsafe design. Recycle input power to reset.	Safety	UL 60950, CSA C22.2 No. 60950, EN60950.
Overtemperature Protection	Unit shuts down if overheated. Recycle AC to reset.		
Leakage Current	1.5mA max at 240Vac.		