

# CPCI-250Q-P-47-4HP

**250 WATTS**

**ONLY 4HP WIDE!!!**

IPMI Capability

40 Amp Output Current on +5V

30 Amp Output Current on the +3.3V

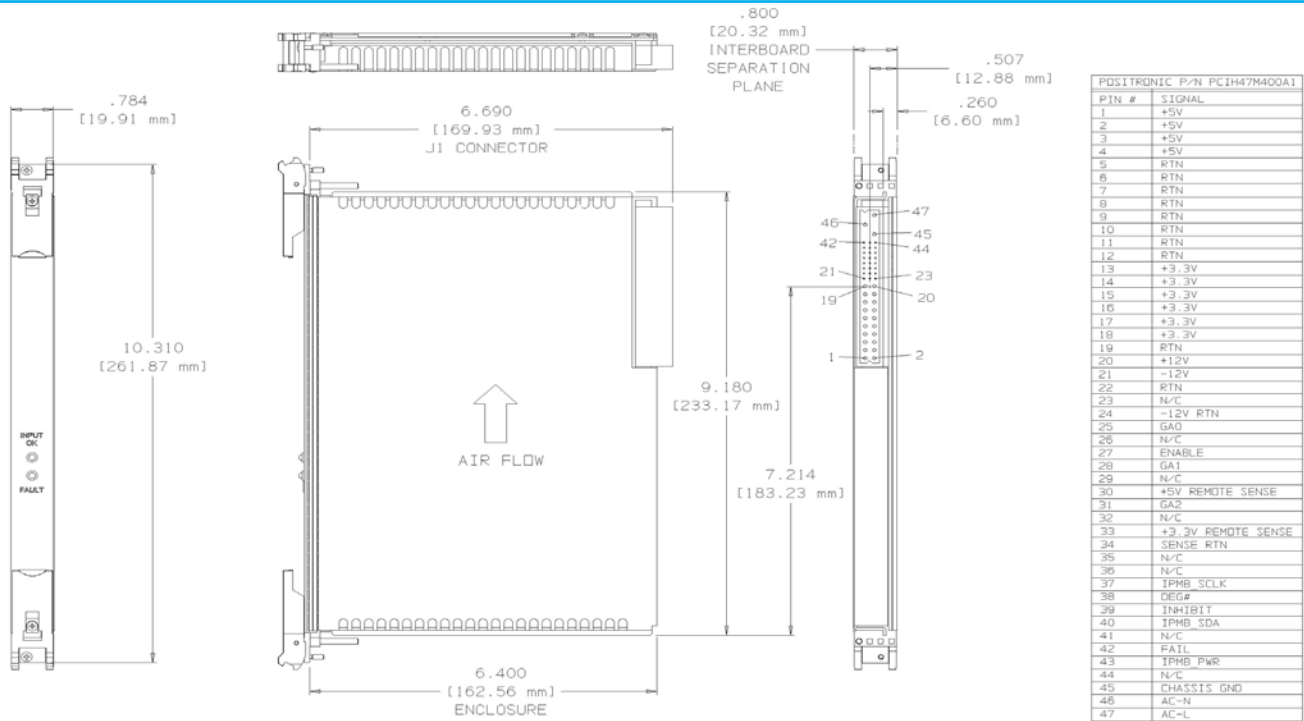


## FEATURES:

- 250 Watts in 6U x 4HP (*one slot*) x 160mm
- Wide Range AC Input (90-264VAC)
- Standard PCI Voltages 5V, 3.3V,  $\pm 12V$   
(+5V/40A, +3.3V/30A, +12V/3A, -12V/1A)
- Power Factor Corrected
- N+1 Redundant with Internal Oring FET's/Diodes
- Zero Wire Current Sharing on +5V and +3.3V Outputs
- IEEE 1101.10 Compliant Front Panel with EMI Gasket, Guide Pins, Injector/  
Extractor Handles and Keying
- CompactPCI® Specification PICMG 2.11 R1.0
- Ruggedized Mechanical Design
- One Year Warranty
- Greater than 150,000 Hrs MTBF



# CPCI-250Q-P-47-4HP



**Nominal Input Voltage** 115-240VAC, 3A max.  
**Frequency** 47-63 Hz , 400Hz. available.  
**Operational Input Voltage Range** 90-264 VAC, 250 Watts Output  
 Power Factor 0.99 Typical at Full Load.  
 Meets EN 61000-3-2.  
**Inrush Current** Less than 4 msec. 40 amperes @ 115 VAC  
 or 80 amperes @ 264 VAC.  
**Brownout Protection:** Holds Regulation to 85 Vac.  
**Fusing** 6.3 Ampere, 250 VAC, Internal ceramic  
 body fuse.  
**Hold up time** 20msec minimum after loss of AC Input at full load  
 and any input  
**Efficiency** 75% typical  
**Turn on time** 1 sec typical from power up.  
**Line and Load Regulation** ±2% over AC input range and  
 0 to 100% load change.  
**Minimum Load** No minimum required on any output.  
**Ripple & Noise** Through 20MHz 1% max. or 50mv whichever  
 is greater for all outputs, peak to peak, with coaxial  
 probe and 0.1uF/10uF capacitors at the connector.  
**Transient Response** Output maximum excursion of ± 5% for 25% load  
 step. Recovery less than 500 µsec.  
**Overshoot/Undershoot** No turn-on or turn-off overshoot.  
**Output Isolation** Isolated from chassis ground, 50Vdc.  
**Input/Output Isolation** 2200 VDC from input to both chassis/outputs.  
 SELV construction.  
**Reverse Voltage** Protected against reverse voltage to supply  
 current rating.  
**Overvoltage Protection** Shutdown at 130% of nominal Vout (V1, V2 & V3). V4  
 failsafe design. Recycle input power to reset.  
**Overtemperature Protection** Unit shuts down if overheated.  
**Leakage Current** 1.5mA max at 240Vac.

**Current Limiting** All outputs short circuit protected with foldback  
 overload protection. Auto recovery with overload or  
 short circuit removal.  
**Paralleling** Two or more supplies can be operated in parallel and  
 will share 5V/3.3V current to within ±10% of each  
 other.  
**Redundant** Full power N+1 redundant with integral Oring FET's/  
 Diodes.  
**Remote Sense** Compensates for up to 0.3V total distribution voltage  
 drop on the +5V and +3.3V outputs.  
**INH#** Open to Run, Contact closure to return , turns off  
 all outputs.  
**DEG#** Normal logic '1' TTL signal which goes low at least 1  
 second before over temperature shutdown.  
**FAIL# Signal** Normal logic '1' TTL signal which goes low whenever  
 the +5V or +3.3V outputs fail, an overtemperature  
 condition, an over voltage shut down, or an AC input  
 failure (5msec warning before outputs go out of  
 regulation).  
**Indicators** Green LED indicating Input OK, Red LED indicating  
 a power supply fault.  
**Cooling** 400 Lfpm forced air external fan.  
**Operating Temperature** -20°C to 50°C operating temperature with specified  
 air flow.  
**Stability** All outputs 0.1% for 8 hrs. after 30 minute warm-up.  
**Humidity** Up to 95% non-condensing.  
**Storage Temperature** -40°C to 85°C.  
**Connector** Positronics Part No. PCIH47M400A1  
**Size** 6U x 4HP x 160mm **Weight:** 2.5 lbs.  
**EMC** Meets EN55022 Level A / FCC Class A conducted.  
**Safety** Designed to meet: UL 60950, CSA C22.2 No. 60950,  
 & EN60950.