

CPCI-250Q-DC-47

300 Watts (40-75VDC)

250 Watts (36-40VDC)

IPMI Capability

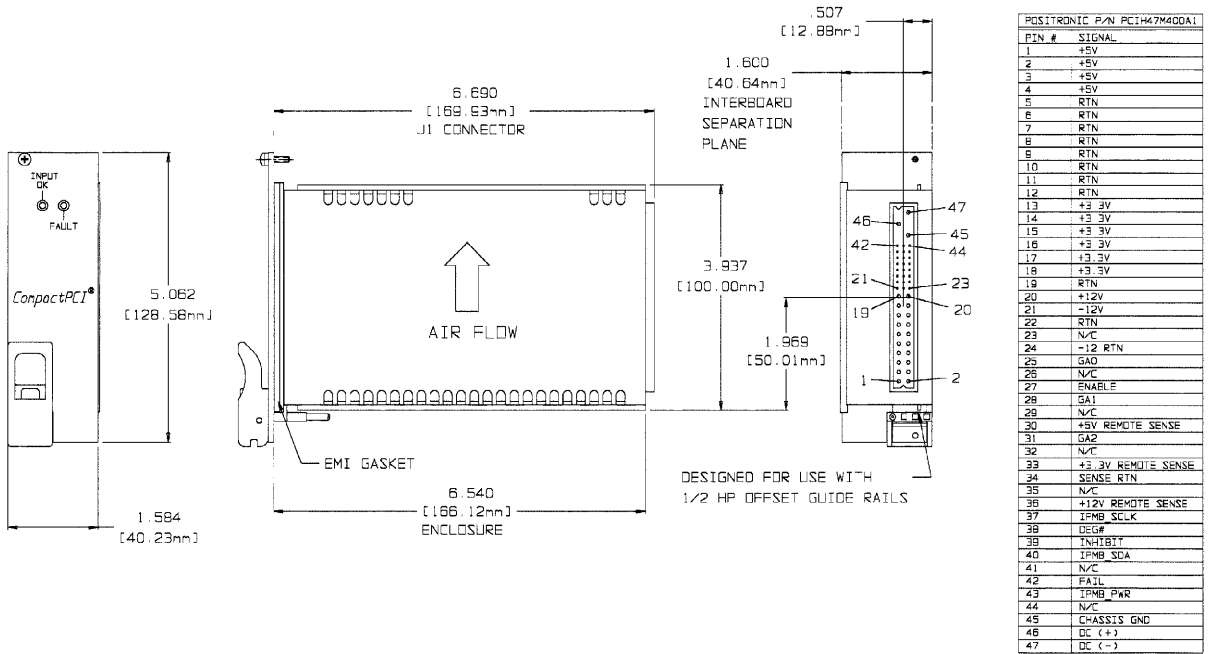
50 Amp Output Current on +5V & +3.3V



FEATURES:

- 300 Watts in 3U x 8HP (two slots) x 160mm*
 - Wide Range DC Input
 - Standard PCI Voltages 5V, 3.3V, $\pm 12V$
+5V/50A, +3.3V/50A, +12V/6A, -12V/2A
 - N+1 Redundant with Internal Oring Diodes
 - Zero Wire Current Sharing on +5V, +3.3V and +12V Outputs
 - IEEE 1101.10 Compliant Front Panel with EMI Gasket, Guide Pins, Injector/
Extractor Handles and Keying
 - CompactPCI® Specification PICMG 2.11 R1.0
 - Ruggedized Mechanical Design
 - Two Year Warranty
 - Greater than 500,000 Hrs MTBF in Redundancy
- * +5V and +3.3V combined output power not to exceed 250 watts

CPCI-250Q-DC-47



Nominal Input Voltage	-48VDC, 10A max.	Current Limiting	All outputs short circuit protected with foldback overload protection, auto recovery with short circuit removal.
Operational Input Voltage Range	36-40VDC, 250 Watts Output 40-75VDC, 300 Watts output	Paralleling	Two or more supplies can be operated in parallel and will share 5V/3.3V current to within ±10% of each other.
Inrush Current	Less than 4 msec. 45 amperes @ -48VDC	Redundant	Full power N+1 redundant with integral Oring Diodes.
Fusing	16 Ampere, 125 VDC, Internal ceramic body fuse.	Remote Sense	Compensates for up to 0.3V total distribution voltage drop on the +5V, +3.3V and +12V outputs.
Hold up time	1msec minimum after loss of DC Input at full load and any input	INH#	Open to Run, Contact closure to return , turns off all outputs.
Efficiency	70% typical	DEG#	Normal logic '1' TTL signal which goes low at least 1 second before over temperature shutdown.
Turn on time	1 sec max. from power up.	FAIL# Signal	Normal logic '1' TTL signal which goes low whenever the +5V or +3.3V outputs fail, an overtemperature condition, an over voltage shut down.
Line and Load Regulation	±2% over DC input range and 0 to 100% load change.	Indicators	Green LED indicating Input OK, Red LED indicating a power supply fault.
Minimum Load	2A on +5V.	Cooling	400 Lfpm forced air external fan.
Ripple & Noise	Through 20MHz 1% max. or 50mv whichever is greater for all outputs, peak to peak, with coaxial probe and 0.1uF/10uF capacitors at the connector.	Operating Temperature	-20°C to 50°C operating temperature with specified air flow.
Transient Response	Output maximum excursion of ± 5% for 25% load step. Recovery less than 500 µsec.	Stability	All outputs 0.1% for 8 hrs. after 30 minute warm-up.
Overshoot/Undershoot	No turn-on or turn-off overshoot.	Humidity	Up to 95% non-condensing.
Output Isolation	Isolated from chassis ground, 50Vdc.	Storage Temperature	-40°C to 85°C.
Input/Output Isolation	1500 VDC from input to both chassis/outputs. SELV construction.	Connector	Positronics Part No. PCIH47M400A1
Reverse Voltage	Protected against reverse voltage to supply current rating.	Size	3U x 8HP x 160mm Weight: 1.5 lbs.
Overvoltage Protection	Shutdown at 130% of nominal Vout (V1, V2 & V3). V4 failsafe design. Recycle input power to reset.	EMC	Meets EN55022 Level A / FCC Class A conducted.
Overtemperature Protection	Unit shuts down if overheated. Recycle DC to reset.	Safety	UL 60950, CSA C22.2 No. 60950, EN60950.