

CPCI-200Q-DC-47-4HP

200 WATTS
ONLY 4HP WIDE!!!

IPMI Capability
40 Amp Output Current on +5V
30 Amp Output Current on the +3.3V

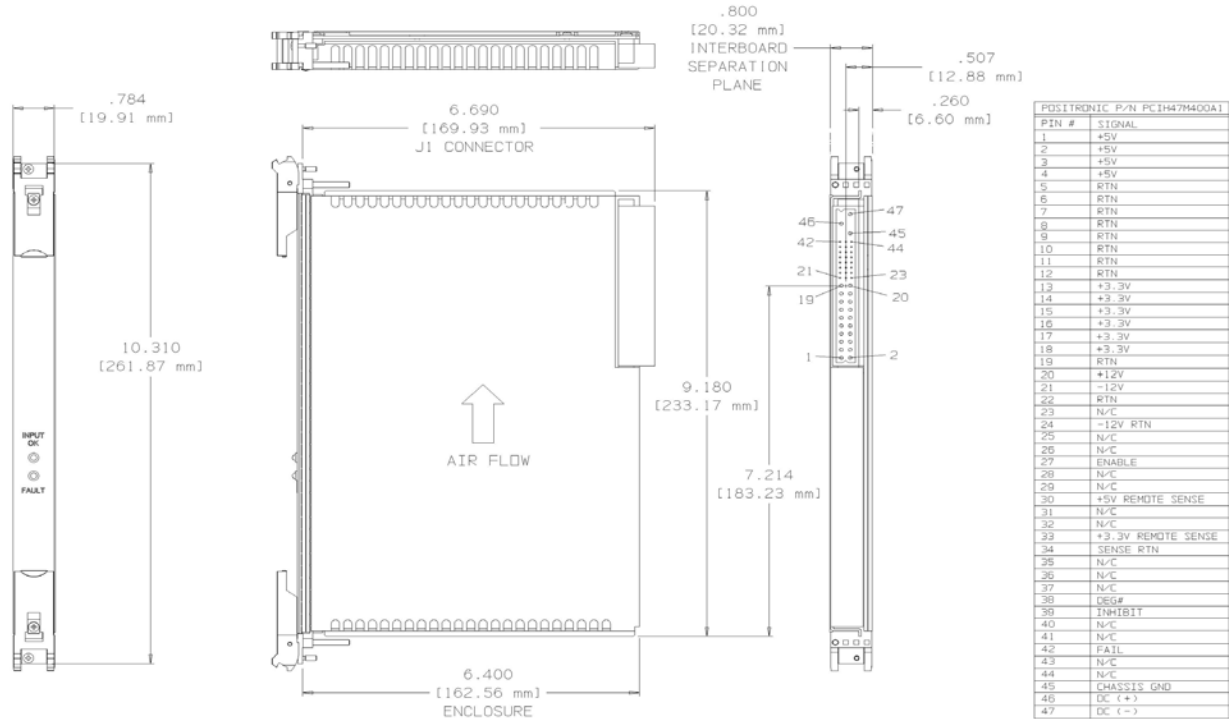


FEATURES:

- 200 Watts in 6U x 4HP (*one slot*) x 160mm
- Wide Range DC Input (18 - 50VDC)
- Standard PCI Voltages 5V, 3.3V, $\pm 12V$
(+5V/40A, +3.3V/30A, +12V/3A, -12V/1A)
- 28VDC Input Designed to Meet Mil-Std-704D, E & F
- N+1 Redundant with Internal Oring FET's/Diodes
- Zero Wire Current Sharing on +5V and +3.3V Outputs
- IEEE 1101.10 Compliant Front Panel with EMI Gasket, Guide Pins, Injector/
Extractor Handles and Keying
- CompactPCI® Specification PICMG 2.11 R1.0
- Ruggedized Mechanical Design
- One Year Warranty
- Greater than 150,000 Hrs MTBF



CPCI-200Q-DC-47-4HP



Nominal Input Voltage 24/28VDC, 11A max.

Operational Input Voltage Range 18 - 50 VDC, 200 Watts Output
Designed to operate with input power per Mil-Std-704D, E & F

Inrush Current Less than 4 msec. 15 amperes @ 28 VDC

Fusing 16 Ampere, 125 VDC, Internal ceramic body fuse.

Hold up time 1msec minimum after loss of DC Input at full load and any input

Efficiency 75% typical

Turn on time 1 sec typical from power up.

Line and Load Regulation ±2% over DC input range and 0 to 100% load change.

Minimum Load No minimum required on any output.

Ripple & Noise Through 20MHz 1% max. or 50mv whichever is greater for all outputs, peak to peak, with coaxial probe and 0.1uF/10uF capacitors at the connector.

Transient Response Output maximum excursion of ± 5% for 25% load step. Recovery less than 500 µsec.

Overshoot/Undershoot No turn-on or turn-off overshoot.

Output Isolation Isolated from chassis ground, 50Vdc.

Input/Output Isolation 1500 VDC from input to both chassis/outputs. SELV construction.

Reverse Voltage Protected against reverse voltage to supply current rating.

Overshoot Protection Shutdown at 130% of nominal Vout (V1, V2 & V3). V4 failsafe design. Recycle input power to reset.

Overtemperature Protection Unit shuts down if overheated.

Current Limiting All outputs short circuit protected with foldback overload protection. Auto recovery with overload or short circuit removal.

Paralleling Two or more supplies can be operated in parallel and will share 5V/3.3V current to within ±10% of each other.

Redundant Full power N+1 redundant with integral Oring FET's/ Diodes.

Remote Sense Compensates for up to 0.3V total distribution voltage drop on the +5V and +3.3V outputs.

INH# Open to Run, Contact closure to return , turns off all outputs.

DEG# Normal logic '1' TTL signal which goes low at least 1 second before over temperature shutdown.

FAIL# Signal Normal logic '1' TTL signal which goes low whenever the +5V or +3.3V outputs fail, an overtemperature condition or an over voltage shut down.

Indicators Green LED indicating Input OK, Red LED indicating a power supply fault.

Cooling 400 Lfpm forced air external fan.

Operating Temperature -20°C to 50°C operating temperature with specified air flow.

Stability All outputs 0.1% for 8 hrs. after 30 minute warm-up.

Humidity Up to 95% non-condensing.

Storage Temperature -40°C to 85°C.

Connector Positronics Part No. PCIH47M400A1

Size 6U x 4HP x 160mm **Weight:** 2.5 lbs.

EMC Meets EN55022 Level A / FCC Class A conducted.

Safety Designed to meet: UL 60950, CSA C22.2 No. 60950, & EN60950.